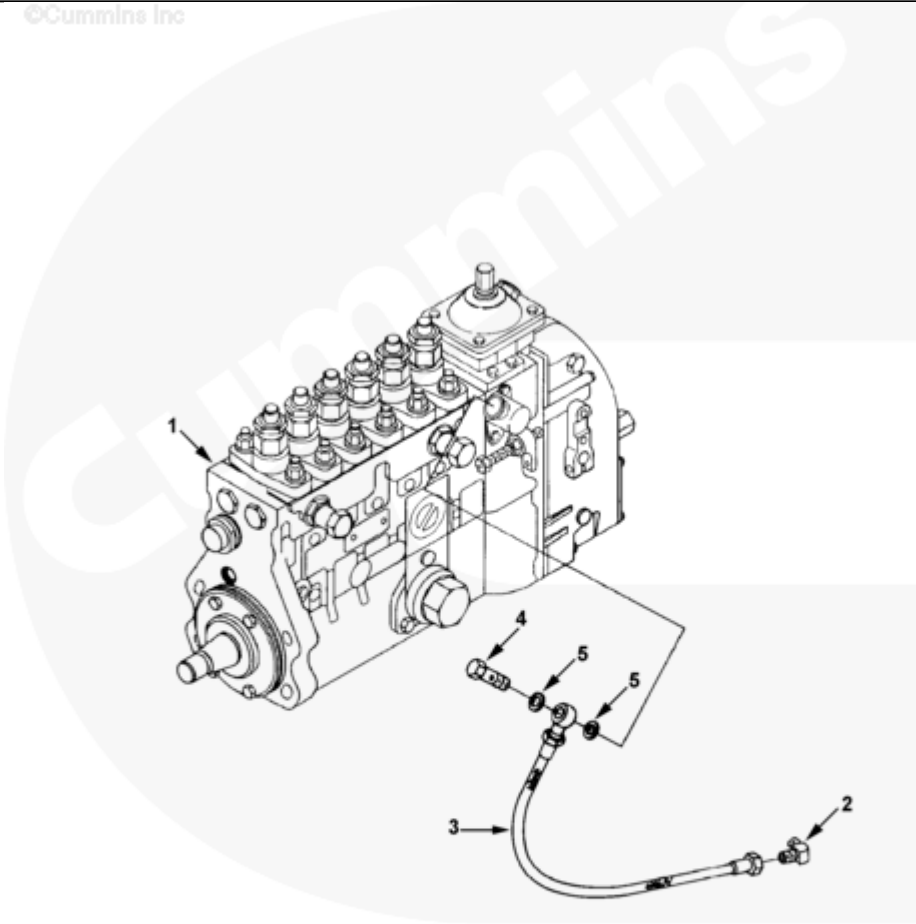




Parts Catalog - Option Detail

Electronic Parts Catalog - Option Detail				
Option	Group	Graphic	Film Card	Date
FP9625	05.21	fp920gw	Z	05-MAR-92
Engines	6C8.3, C GAS PLUS CM556, G8.3, G8.3 CM558, GTA8.3 CM558, ISC CM2150, ISC CM554, ISC CM850, ISC8.3 CM2250, ISC8.3 G CM2180 C101, ISL CM2150, ISL CM554, ISL CM850, ISL G CM2180, ISL8.9 CM2150 L110, ISL8.9 CM2880 L112, ISL9 CM2150 SN, ISL9 CM2250, ISL9 CM2350 L101, ISL9 CM2350 L111, ISLE4 CM850, L GAS PLUS CM556, L8.9, L8.9 L121, L8.9G CMOH2.0 L125B, L9 CM2350 L116B, L9 CM2350 L119B, L9 CM2350 L120C, L9 CM2350 L123B, L9.3 L105, L9.5 L117, L9N CM2380 L124B, QSC8.3 CM2250, QSC8.3 CM2880 C102, QSC8.3 CM554, QSC8.3 CM850(CM2850), QSL9 CM2250, QSL9 CM2250 L115, QSL9 CM2350 L102, QSL9 CM2350 L107, QSL9 CM2350 L118, QSL9 CM2350 L122, QSL9 CM554, QSL9 CM850(CM2850), QSL9 G CM558, QSL9 M CM2250 L106, QSL9.3 CM2880 L113			



fp920gw

SMALL | MEDIUM | LARGE

Cart	Ref No	Part Number	Part Description	Required	Remarks
View My Cart					
		FP9625	Fuel Pump		Nippon Denso "EP9" type (non...(More)
					certified) fuel pump for 400
					BHP turbocharged and
					aftercooled "C" Series engine
					at 2600 RPM with high output
					rating for marine propulsion.
					Uses 2.0mm tubing.
					Contains provision for
					external oil lines.
					Reference: CPL #1282 With
					FR9577.
<input type="checkbox"/>	1	3916318	Fuel Injection Pump	1	
<input type="checkbox"/>	2	68139	Male Adapter Elbow	1	1/8 NPTF X 7/16 - 20 (90).
<input type="checkbox"/>	3	3917074	Flexible Hose	1	
<input type="checkbox"/>	4	3918002	Banjo Connector Screw	1	M10 x 1.00 x 19
<input type="checkbox"/>	5	3918190	Sealing Washer	1	10mm.